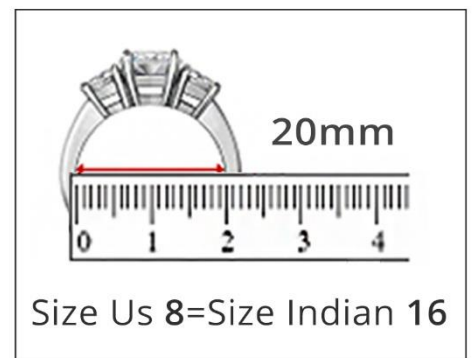
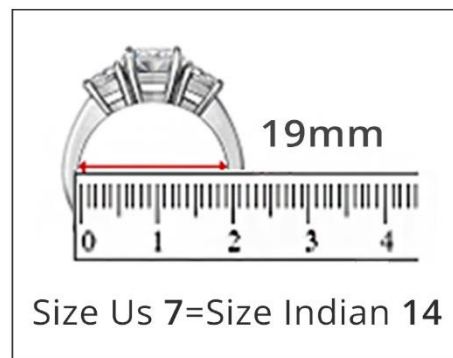
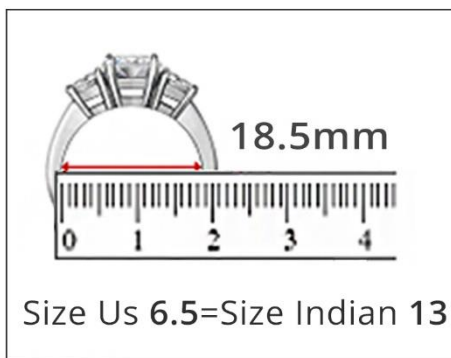
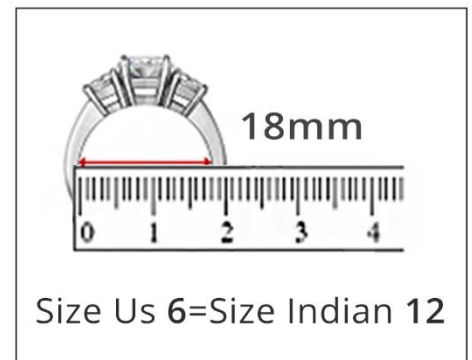
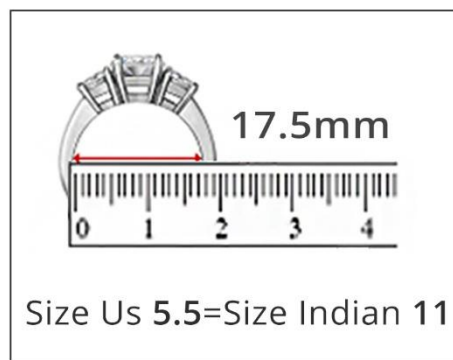
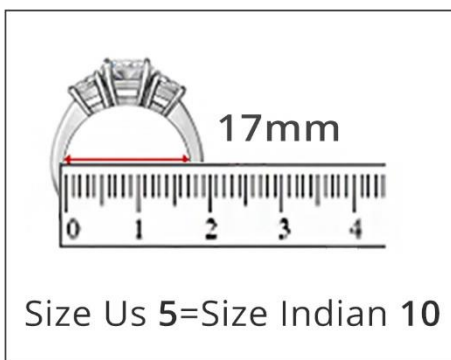
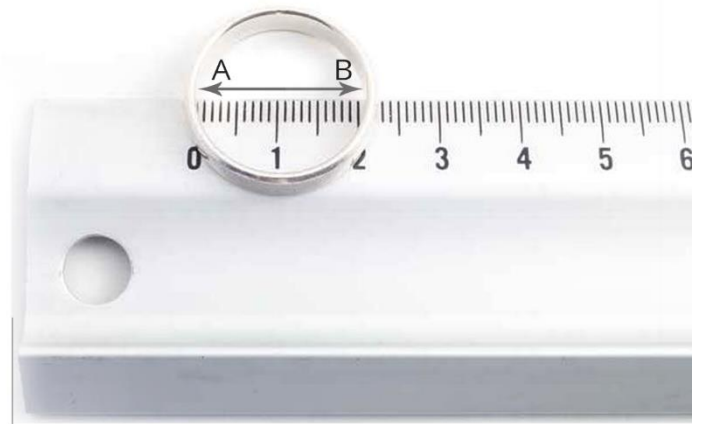
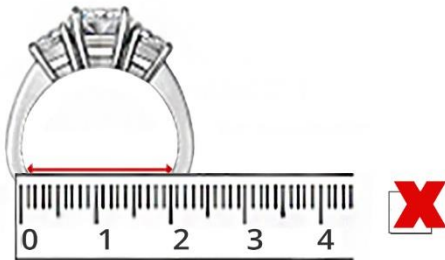
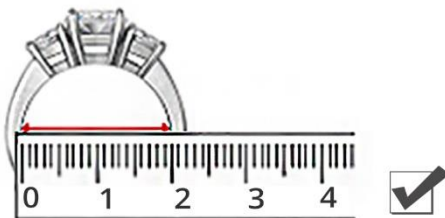


MEASURE YOUR RING SIZE

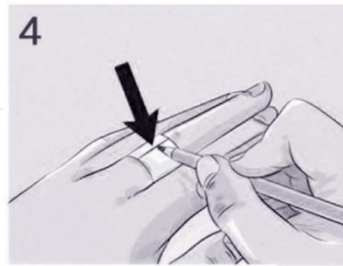
1. Take a finger ring, place it on the scale from the exact center
2. Measure the inner diameter from inside the ring from point A to B
3. Check your size with our image below

Keep In Exact Center





1 Cut a piece of thick paper strip.



4 Mark the exact point where the paper overlaps.



2 Wrap the tape close to the knuckle. This is the thickest part of your finger, and your ring will need to slide over it comfortably.



5 Measure against a ruler.



3 When measuring measure in between the knuckle and finger.



6 Choose a cloth or plastic measuring tape for a more accurate measurement.

Ring Size (Indian)	Circumference MM
10	50
11	51
12	52
13	53
14	54

FEW HELPFUL TIPS FOR YOU

- 1 Don't wrap the paper too tightly. Aim for a snug but comfortable fit.
- 2 The size of your fingers tends to change throughout the day. Weird, right? For best results, measure at the end of the day.
- 3 If you're stuck between two close sizes, go for the larger size.
- 4 Always measure between the area between the base of the finger and the knuckle . Lot of people measure at the base which sometimes is not correct.
- 5 If your knuckles are much larger than the base of your finger, measure the knuckle and the finger. Your ring size should be the average of both sizes, approximately. This helps to ensure that the ring can fit over your knuckle, but not fit so loosely around your finger that it's bothersome.
- 6 Also Don't Forget To Watch Our Ring Size Video.



<https://www.ornatejewels.com/pdf/ringsize.mp4>